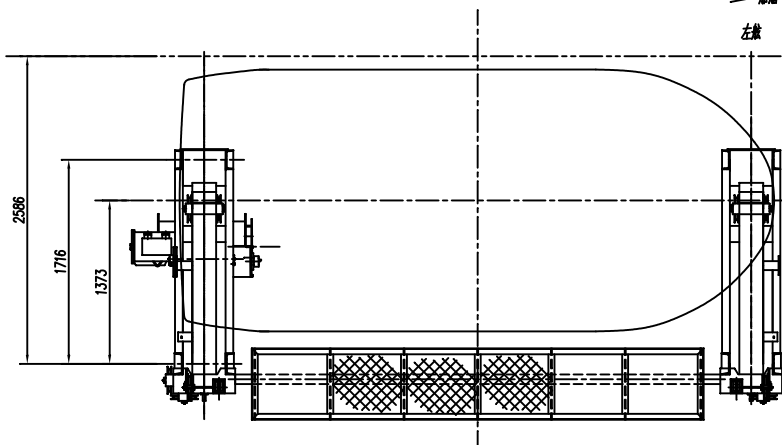
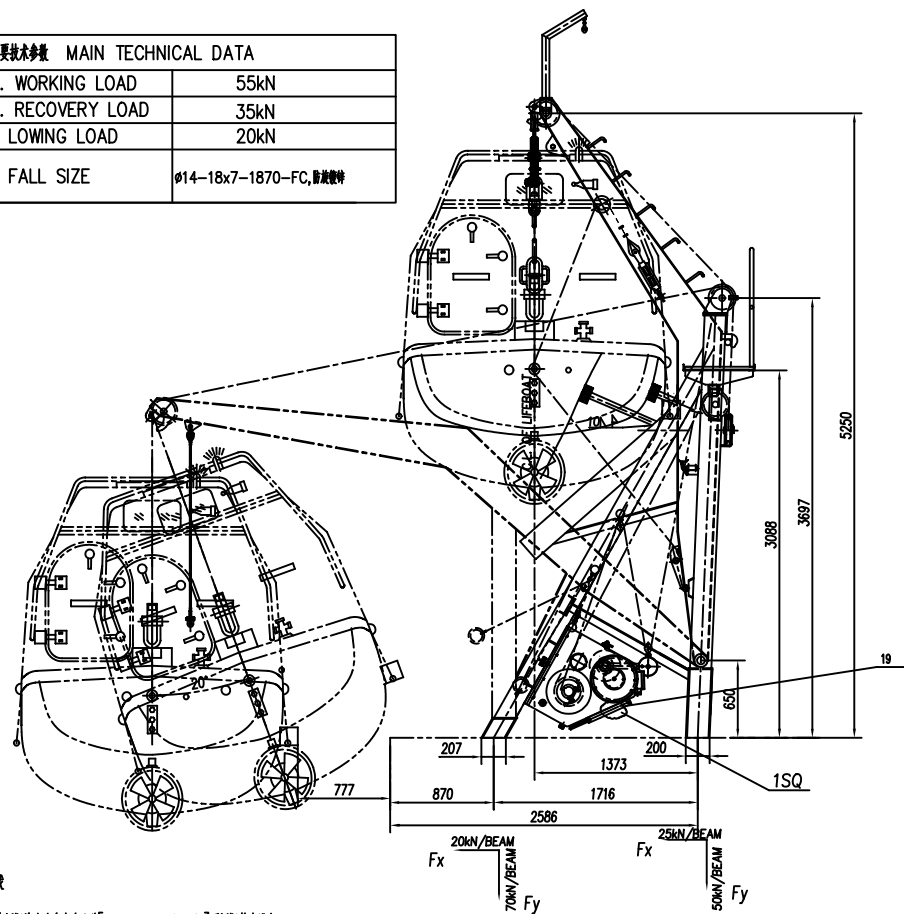


主要技术参数 MAIN TECHNICAL DATA	
最大工作负荷 MAX. WORKING LOAD	55kN
最大回收负荷 MAX. RECOVERY LOAD	35kN
最小下放负荷 MIN. LOWERING LOAD	20kN
钢丝绳规格 BOAT FALL SIZE	φ14-18x7-1870-FC, 防泼水型



技术要求

1. 本装置满足 1974 年国际海上人命安全公约 [MSC216 (82)] 及国际救生设备规则 MSC.218(82) 要求
2. 起落架应采用 φ14-18x7-1870(GB/T20118-2006) 防泼水钢丝绳
3. 标 "▲" 是由船厂提供焊接
4. 本图为左式吊艇架布置情况, 右式吊艇架对应镜像。

TECHNICAL REQUIREMENT

1. THE APPLIANCE CONFORM TO 1974 SOLAS [MSC.216(82)] AND INTERNATIONAL LSA CODE [MSC.218(82)]
2. THE FALL SHOULD BE OF φ14-18x7-1870(GB/T20118-2006) NON TWISTS GALVANIZED WIRE ROPE.
3. MARKED "▲" SHOULD BE WELDING BY SHIPYARD.
4. THIS DRAWING SHOWS THE LEFT TYPE DAVIT, i.e. INSTALLED ON PORTSIDE. THE RIGHT TYPE DAVIT IS SYMMETRICAL.

No.	Code	Name	Material	Quantity	Weight(kg)	Remarks
16	NMD55-MP-01	操作指示牌 OPERATION PLATE	1C18Ni9Ti	1		
15	NMD55-15-0	悬挂装置 HANGING UNIT	ASSEMBLY	2	32.4	
14	NMD55-14-0	回收装置 RECOVERY UNIT	ASSEMBLY	2	32.4	
13	NMD55-13-0	头架零件 HEAD TACKLE	ASSEMBLY	2	104	
12	NMD55-12-0	浮筒零件 FLOATING TACKLE	ASSEMBLY	2	96	
11	NMD55-11-0	吊艇链 BOAT FALL CHAIN	ASSEMBLY	2	56	
10	NMD55-10-0	导向零件 GUIDE TACKLE	ASSEMBLY	2	120	
9	NMD55-09-0	止动装置 STOP UNIT	ASSEMBLY	2	16	
8	NMD55-08-0	操作平台 PLATFORM	ASSEMBLY	1	280	
7	NMD55-07-0	艇支撑 BOAT SUPPORT	ASSEMBLY	2	50	
6	NMD55-06-0	零件组 TACKLE ARRANGEMENT	ASSEMBLY	1	200	
5	NMD55-05-0	限位装置 LIMITED UNIT	ASSEMBLY	2	20	
4	NMD55-04-0	系紧装置 FASTENING UNIT	ASSEMBLY	2	24	
3	NMD55-03-0	吊艇架 DAVIT	ASSEMBLY	2	1000	
2	NMD55-02-0	枢轴装置 PIVOT UNIT	ASSEMBLY	2	90	
1	NMD55-01-0	框架 FRAME	ASSEMBLY	2	1040	

19	NMD55-17-0	手柄装置 HANDLE UNIT		1		
18	3x6 GB827-86	铆钉 RIVET	ML2	12		
17	NMD55-MP-02	标牌 INDICATION PLATE	1C18Ni9Ti	1		
No.	Code	Name	Material	Quantity	Weight(kg)	Remarks

Mark				Drawing No.				Sign				Date			
Design by				Approved by				Mark				Weight			
Checked by				Date				Scale				3200			
Title Page:				Page:				3200				1:30			
Drawing No.				NMD55-00				Material:				ASSEM			
55KN 左式吊艇架				GENERAL DRAWING											